



# **Digital** **Multi-Mug** **Press** **Operational Guide**

# Geni HeatPro Components

## Description

Thank you for purchasing a Multi-Mug Heat Press

Our Multi-Mug Heat Press is easy to operate and fast to warm up. This compact heat press enables you to easily sublimate images onto various mug styles. With a footprint of less than 0.1m<sup>2</sup> it is compact but also ideal for volume use.

Temperature is measured in Centigrade or Fahrenheit.

Your Multi-Mug Heat Press is supplied with a 10z standard and slimline heater band. The Multi-Mug Press Plus is also supplied with the Latte Mug and Shot Glass attachments.



- |          |                           |          |                     |
|----------|---------------------------|----------|---------------------|
| <b>1</b> | Pressure Handle           | <b>5</b> | Power Switch        |
| <b>2</b> | Pressure Adjustment Screw | <b>6</b> | Start/Stop Button   |
| <b>3</b> | Heater Band               | <b>7</b> | Heat Band Connector |
| <b>4</b> | Control Box               |          |                     |

# Geni HeatPro Specification

## Getting Started

Remove all packaging carefully. When using a knife please take care not to cut the wiring or cables.

Your box should contain;

- Power cord
- The Mug Heat transfer press
- Manual
- Additional Heater Bands

Caution:

- When changing any accessory, please make sure that the power is switched off
- Make sure that the Voltage (220V) is applicable for your use.
- When the press is not in use, please ensure that it is switched off.
- Keep children away from the press.
- Only allow qualified personnel to operate this machinery.
- Some elements get hot during the process, these are marked accordingly.
- Take care of hot surfaces during operation.
- When starting up, the machine will automatically heat up to the set idle temperature.

When inserting an object to sublimate, the machine will usually cool off a little. When pressing the start button, the machine will first heat up to the set cook temperature and then the sublimation time will count down. To set the different temperatures and time see 'Programming the Control Unit'.

## Accessories

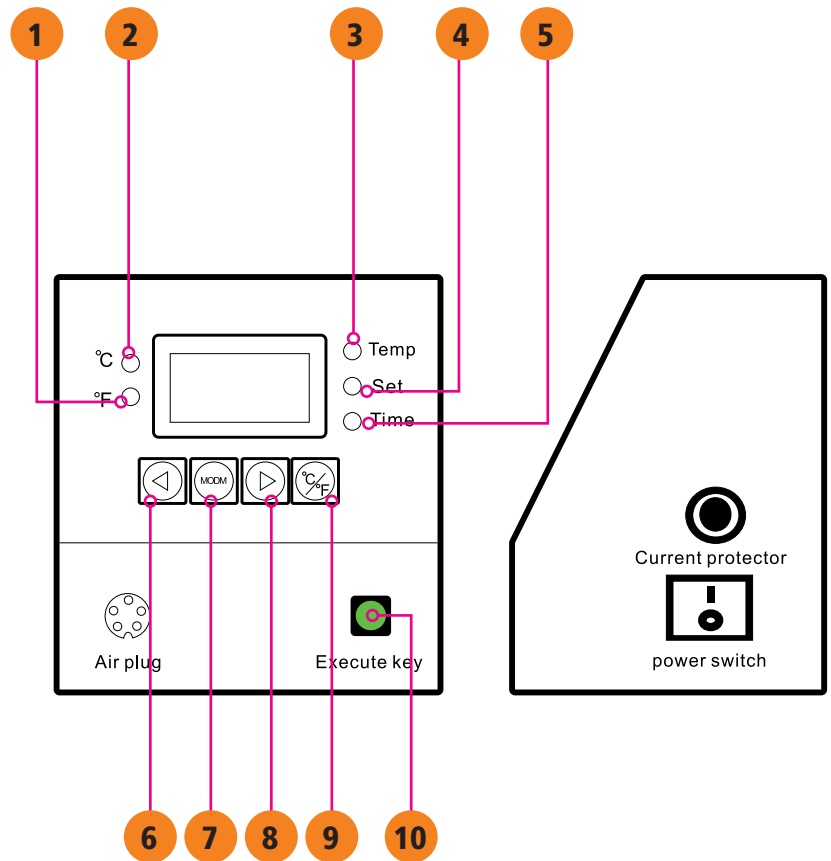
- |          |                                |          |                                  |
|----------|--------------------------------|----------|----------------------------------|
| <b>1</b> | 3oz Mini Latte Mug Heater Band | <b>4</b> | Standard Durham 10oz Heater Band |
| <b>2</b> | Latte 12 oz Heater Band        | <b>5</b> | 6-8oz Heater Band                |
| <b>3</b> | Large Latte 17oz Heater Band   | <b>6</b> | 1.5oz Shot Glass Heater Band     |



# Control Panel Operation

## Display Panel

- 1 The display shows the temperature in °F
- 2 The display shows the temperature in °C
- 3 When the TEMP indicator is lit the cooking temperature can be set
- 4 When the SET indicator is lit the idle temperature can be set
- 5 When the TIME indicator is lit the time can be set.
- 6 Is for deduction
- 7 Mode Button for Settings
- 8 Is for increase
- 9 Toggle °C / °F
- 10 Start/Stop Button

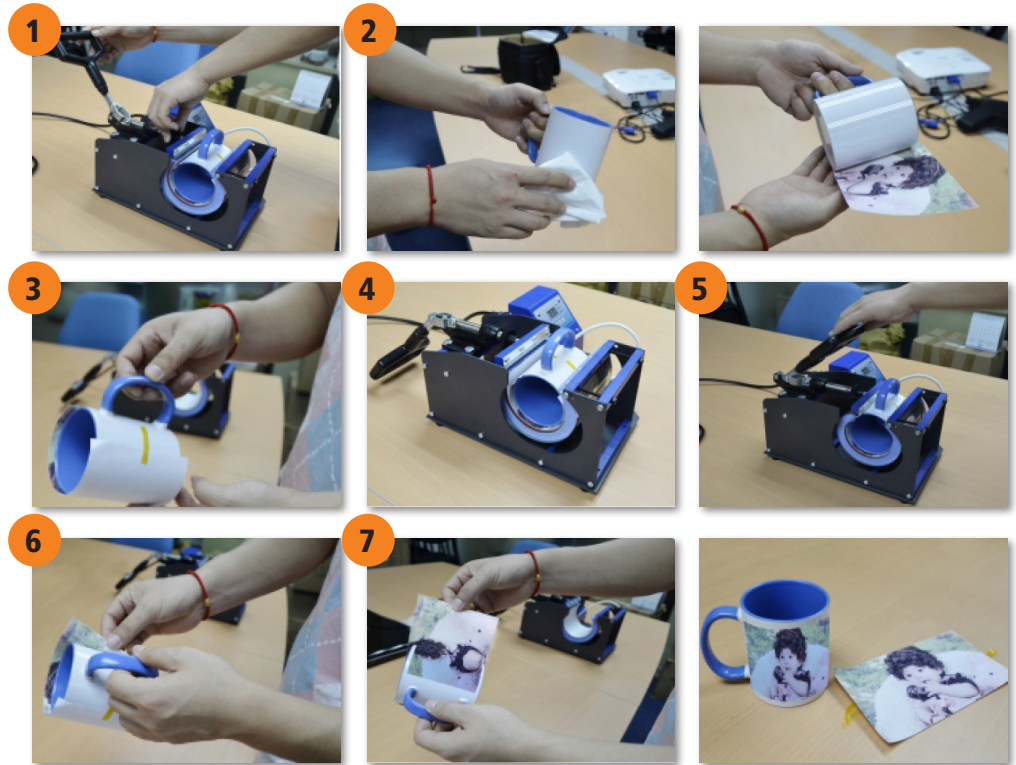


## Programming the Control Unit

1. Connect power cable
  2. Switch Machine on
  3. Select either °C or °F for temperature display
  4. To set the idle temperature (see above) press the mode button once. The 'set' light will illuminate allowing you to adjust the idle temperature using the plus and minus buttons. The idle temperature should be 10°C below the 'cook' temperature.
  5. Press the mode button for the second time to set the 'Cook' temperature and the 'Set' and 'Temperature' light will illuminate. Adjust the cook temperature with the plus and minus button.
  6. Press the mode button for the third time to set the sublimation time and the 'Time' light will illuminate. Adjust the sublimation time with the plus and minus button. Exit by pressing the mode button.
  7. The machine starts automatically to heat up to the 'Idle' temperature. When this temperature has been reached the machine will start to beep.
  8. To start the sublimation operation press the Start/Stop button once. The machine will first heat up to the cook temperature, when this has been reached the timer count down will start.
  9. When the operation is finished, the machine will give a long beep. This can be stopped by pressing the Start/Stop button again.
  10. To change a heater band always make sure that the power is switched off and wait until the machine has cooled. Unscrew the plug to release.
- Please Note: The 'idle' temperature is always lower than the 'Cook' temperature. This means that when setting an 'Idle' temperature that exceeds the current 'Cook' temperature, the 'Cook' temperature should be set higher.**

# Geni HeatPro Operations

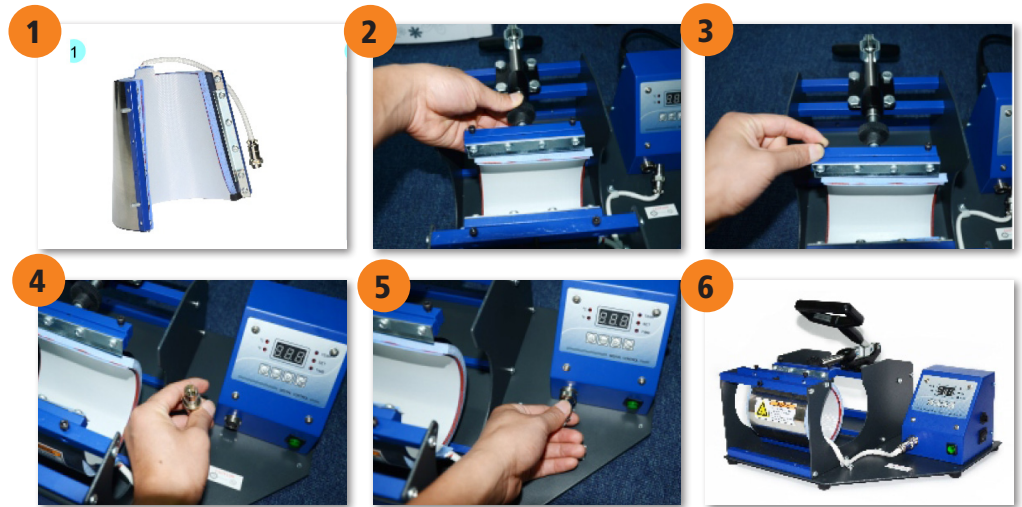
## How to Decorate a Mug:



- 1** Before switching on the mug press set the correct pressure for the mug using the pressure adjustment screw (See page 1). This should be set to a firm pressure.
- 2** Temperature and time settings can be found in the supplied product cooking guidelines document.
- 3** Put the sublimation transfer paper with the ink side down towards the mug and fix in place with Heat Transfer Tape.
- 4** Place the mug into the mug press when it has reached the set temperature.
- 5** Close the mug press and press the Start/Stop button. It will take the mug press some time to re-reach the 'Cook' temperature. Only after the 'Cook' temperature has been reached the count down time will start automatically.
- 6** When the sublimation time is finished the machine will give a long beep. Open the press and press the Start/Stop button to stop the beep.
- 7** Remove the tape and sublimation transfer paper directly after the job is finished. Caution: The mug will be very hot, we recommend using heat gloves to remove paper.

# Heater Band Installation

## Changing Heater Bands



Before changing heater bands make sure that the power is switched off and the machine is cool.

Changing heater bands;

- 1 Unscrew the connector.
- 2 Unplug the cable.
- 3 Carefully remove the cable from the cable clamps.
- 4 Do not fold or bend the heating mats
- 5 Remove the Heatband from the holder and replace it with another heater band.
- 6 Carefully connect the cable to the cable clamps; plug the cable into the control box. Screw in the connector.

## Hints & Tips

If changing from the standard or slimline heater bands to a Latte heater band you will also need to release 4 screws. Ensure the screws are securely tightened once you have installed the Latte holder and heater band.

Place the hot mug in front of a desktop fan to rapidly cool the mug.

For releasing the Heat Transfer Tape easily, always double fold one end of the tape.

Always use very clean products to sublimate on. Any dust will obstruct a clear transfer.

# Dye-Sublimation FAQ

## Q&A

### Q: The transferred image is a little light

A: Start by lengthening the sublimation time. Second option is raising the temperature by 10°C. Alternatively add a little more pressure.

### Q: The transferred image is a little vague

A: Reduce the sublimation time by 10 seconds

### Q: The transferred image is not brilliant

A: Reduce the pressure or reduce the temperature

### Q: The transferred image is partially blurred

A: The sublimation paper did not contact completely with the object. Usually this means that the surface of the object is not completely smooth.

### Q: Sticking Papers

A: The temperature is too high or it is an indication of poor quality sublimation transfer paper.

### Q: The edges of the mugs are brown in colour

A: Reduce the sublimation time by 20 seconds.

## Warranty

We offer a warranty which covers the press and other equipment as long as it is free from defects in both material and workmanship for one year from the date of invoice for the buyer. For the usage parts of heat presses an overall warranty applies for 3 months from the date of invoice to the buyer.

The heat mat is guaranteed for 300 impressions or 3 months, whichever comes first. The usage parts are marked accordingly.

This warranty covers all parts to repair the defects, except when damage results from improper installation, accidents, misuse or abuse.

There are no warranties, which extend beyond the description on the face hereof. The seller disclaims any implied warranty of merchantability and / or implied warranty of fitness for a particular purpose and buyer agrees that the goods are sold as is. In no event will Listawood be liable for any consequential or indirect damages or indirect damages arising from the use of the press or accompanying materials

Multi-Mug Heat Press, HPM350005

1 year return to base warranty. Except usage parts (mug mats): 3 month warranty or 300 impressions.

